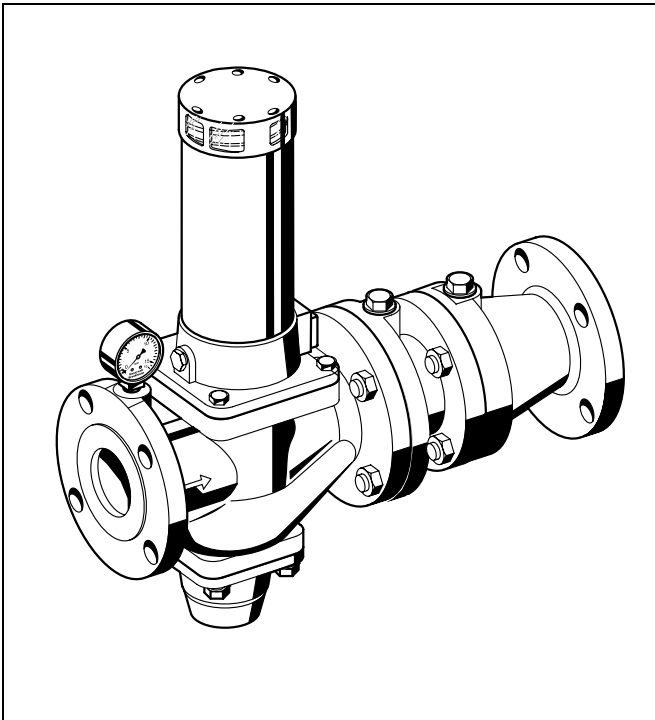


## R295P-F

Mechanical disconnecter with flanges direct actuated GA type according to EN 1717/type 1 according to DIN1988 part 4

### Product specification sheet



#### Construction

The mechanical disconnecters comprises:

- Housing with pressure gauge
- Outlet check valve
- Spring bonnet
- PN 16 flanged connections to ISO 7005-2, DIN EN 1092-2
- Drain connector
- Valve insert with spring
- Spindle guide with double O-ring seal

#### Materials

- Grey cast iron housing, powder coated inside and outside
- Steel spring bonnet
- NBR seals
- Stainless steel valve stem and spring
- Red bronze for other internal parts
- Red bronze drain connector up to DN 100
- Stainless steel balanced-seat piston
- High grade synthetic material bearing surfaces for sliding internal parts

#### Application

Mechanical disconnecters of this type are suitable for the protection of drinking water systems as required by EN 1717 "The technical regulation of drinking water systems" and correspond to DIN1988 part 4 type 1 construction.

Their purpose is to protect systems against back pressure, back flow and back syphonage of non-potable water into the public water supply network.

Mechanical disconnecters can be used to provide protection up to and including liquid category 3 (slightly toxic substances) and therefore offer better protection than check valves.

#### Special Features

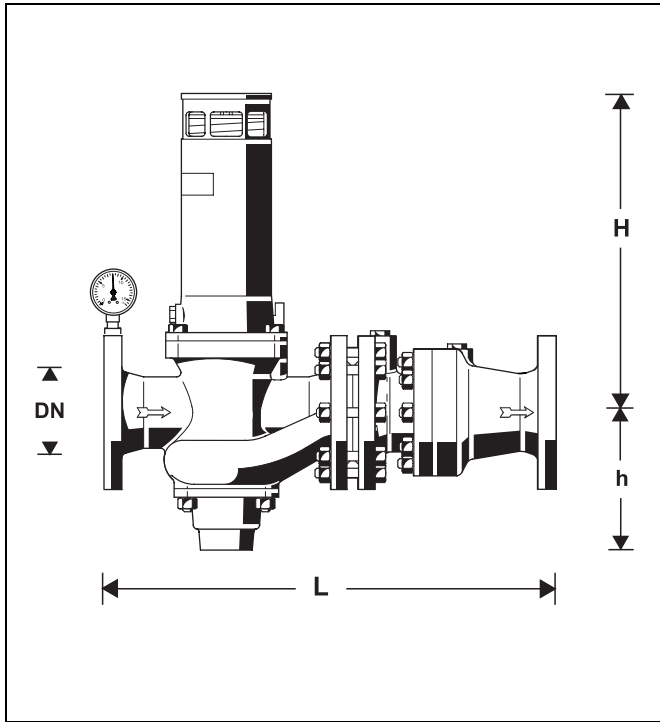
- Optimal protection of the drinking water supply system
- Enhanced protection against back pressure, back flow and back syphonage into the water supply network
- Shutoff position visually indicated on the spring bonnet
- Compact construction
- Powder coated inside and outside - Powder used is physiologically and toxicologically safe
- Meets KTW recommendations for potable water
- Low pressure loss and high flow rate

#### Range of Application

Medium Cold water  
Max. inlet pressure 10.0 bar

#### Technical Data

Installation position	Horizontal with spring bonnet upwards
Max. operating temperature	40 °C
Opening pressure	0.5, 1.0, 1.5 or 2.0 bar as required (DN65 - DN100)
	0.5, 1.0 bar as required (DN125 - DN200)
Minimum inlet pressure	= set pressure + 1.0 bar
Connection size	DN65 - 200



**Method of Operation**

Type 1 mechanical disconnecters remain in the flow position and change to the shutoff position only when the inlet pressure falls below the design opening pressure.

The inlet pressure operates on the annular surface of the valve piston and pushes it against the force of the spring bringing the piston to the open position. If the supply pressure falls below the opening pressure needed to overcome the spring force (for example because of a broken pipe or during service work by the supply undertaking) then the integral spring pushes the valve into the closed position.

**Options**

R295P-... FA = With flanges, 0.5 bar set pressure

R295P-... FB = With flanges, 1.0 bar set pressure (standard pattern)

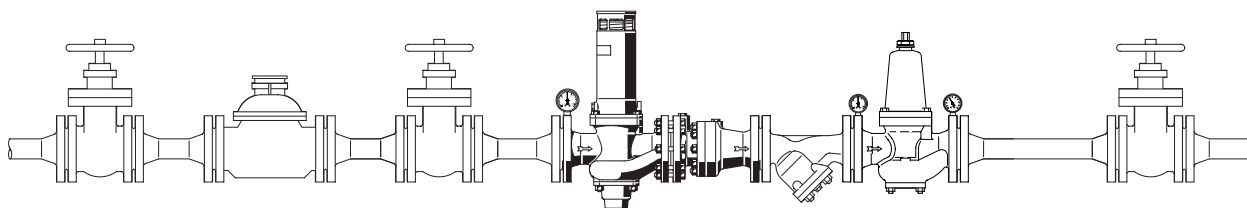
R295P-... FC = With flanges, 1.5 bar set pressure (DN 65 - DN 100 only)

Special Versions available on request

Connection size

Connection size	DN	65	80	100	125	150	200
Weight	approx. kg	48	67	89	145	206	408
Dimensions	mm						
	L	532	572	652	752	882	1102
	H	380	495	475	528	563	851
	h	165	208	232	280	313	438
Nominal flow rate	m <sup>3</sup> /h						
at Δp = 0.3 bar		27	34	68	114	150	198
k <sub>VS</sub> -value (full flow)		50	62	125	208	274	362
ξ value		11	17	10	9	10	19
Opening pressure		0.5, 1.0 or 1.5 bar as required			0.5 or 1.0 bar as required		

**Installation Example**



**Installation Guidelines**

- Install shutoff valves
- Install in horizontal pipework with spring bonnet directed upwards
  - o This position ensures optimum filter efficiency
- Ensure good access
  - o Pressure gauge can be read off easily
  - o Simplifies maintenance and inspection
- Mechanical disconnectors must not be fitted in any areas or ducts where poisonous gases or vapours may be present or where flooding can occur

**Typical Applications**

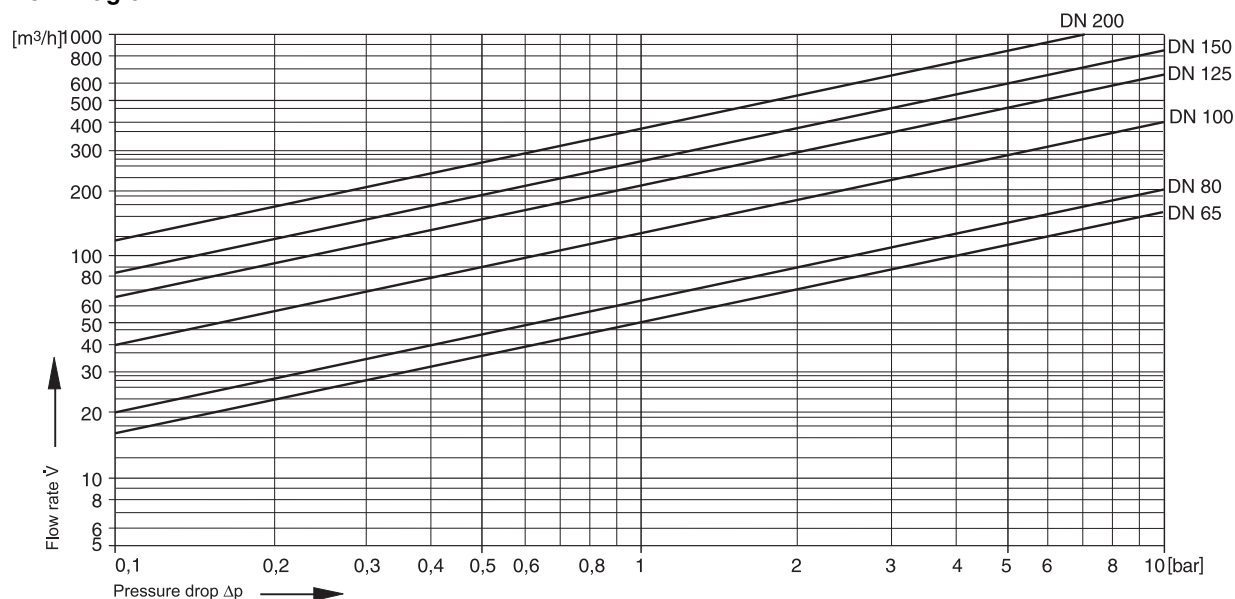
Mechanical disconnectors of this type are best suited for commercial and industrial applications.

However they can also be used for supplies to residential buildings within the scope of their specification.

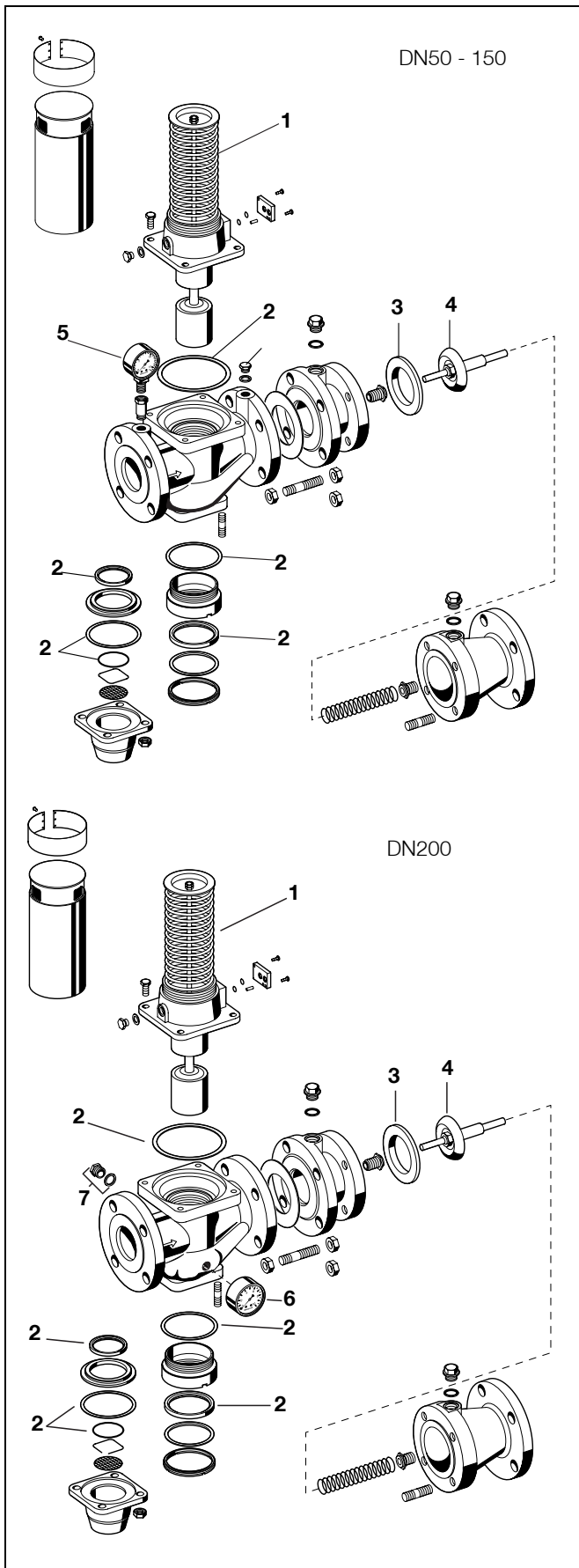
The following are some typical applications:

- Softening and deacidification plants without DVGW approval
- Soda machines
- Boilers and automatic pressure fermentation equipment
- Heating system filling assemblies without DVGW approval, water without inhibitors
- Air conditioners

**Flow Diagram**



EN0H-1211GE23 R0812 • Subject to change



**Spare Parts**

**Mechanical disconnecter R295P-F**

No.	Description	Dimension	Part No.
1	Valve insert complete	0.5 bar	
		DN 65	R295AP-65FA
		DN 80	R295AP-80FA
		DN 100	R295AP-100FA
		DN 125	R295AP-125FA
		DN 150	R295AP-150FA
		DN 200	R295AP-200FA
		1.0 bar	
		DN 65	R295AP-65FB
		DN 80	R295AP-80FB
		DN 100	R295AP-100FB
		DN 125	R295AP-125FB
DN 150	R295AP-150FB		
DN 200	R295AP-200FB		
1.5 bar		DN 65	R295AP-65FC
		DN 80	R295AP-80FC
		DN 100	R295AP-100FC
2	Set of seals	DN 65	0901093
		DN 80	0901094
		DN 100	0901095
		DN 125	0901143
		DN 150	0901145
		DN 200	0901147
3	Lip seal ring	DN65	5350000
		DN80	5350300
		DN100	5350400
		DN125	2070300
		DN150	2067300
		DN200	2238900
4	Valve disc complete	DN 65	0900376
		DN 80	0900377
		DN 100	0900378
		DN 125	0900379
		DN 150	0900380
		DN 200	0900381
5	Pressure gauge		M39M-A16
	Ranges 0 - 16 bar		
6	Pressure gauge		M07M-A16
	Ranges 0 - 16 bar		
7	Hexagon-plug with copper sealing-ring	all	S06M-1/4
	R1/4" (5 pcs.)		

**Automation and Control Solutions**

Honeywell GmbH  
 Hardhofweg  
 74821 MOSBACH  
 GERMANY  
 Phone: (49) 6261 810  
 Fax: (49) 6261 81309  
<http://ecc.emea.honeywell.com>

Manufactured for and on behalf of the  
 Environmental and Combustion Controls Division  
 of Honeywell Technologies Sàrl, Z.A. La Pièce 16,  
 1180 Rolle, Switzerland by its Authorised Repre-  
 sentative Honeywell GmbH

EN0H-1211GE23 R0812  
 Subject to change without notice  
 © 2012 Honeywell GmbH

**Honeywell**